

HAND SHOWER

S41(HM) 3 FN. HANDSHOWER SET
Barcode 8852410804875
Material No. Z234S41HMXXXXXX11

Selling Point

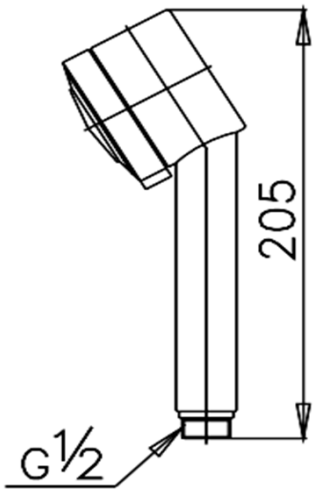
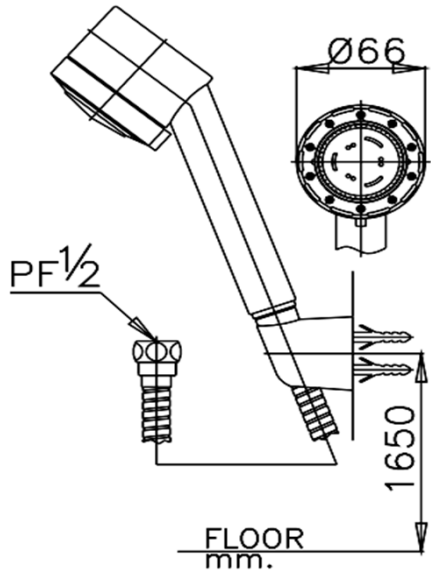
1. Made from High Quality ABS plastic, Plated with Nickel-Chromium
2. 3 Functions : Normal spray, Message, Soft

Product characteristics

- pices/box : 15
- Inner box weight (Kg.) : 1
- Total box weight (Kg.) : 9

Recommended Usage

Use with valve or mixture faucet for standing shower or bathtub



Siam Sanitary Ware Co.,Ltd. / Siam Sanitary Fittings Co.,Ltd.
 36/11 Viphavadee Rangsit Rd, Sanam Bin, Donmuang, Bangkok 10210. Thailand
 Tel : + 66 (0) 2973-5040-54
 Fax : + 66 (0) 2973-3470
 www.cotto.co.th
 Export Department
 Tel : + 66 (0) 2973-5040-54
 Fax : + 66 (0) 2973-3472



Center	(Donmuang ,Bangkok)	: +66 (0) 2521-7777
East	(Chonburi)	: +66 (038) 416-222
North	(Chiangmai)	: +66 (053) 211-852
North East	(Khonkean)	: +66 (043) 220-555
South	(Phuket)	: +66 (076) 261-388

The company reserves the right to change any of the details in the document without prior notice