

AUTOMATIC FAUCET

CT537NXAC AUTOMATIC BASIN FAUCET/ELECTRICITY USE

Barcode 8852410537285

Material No. Z231CT537NXACXXX21

Selling Point

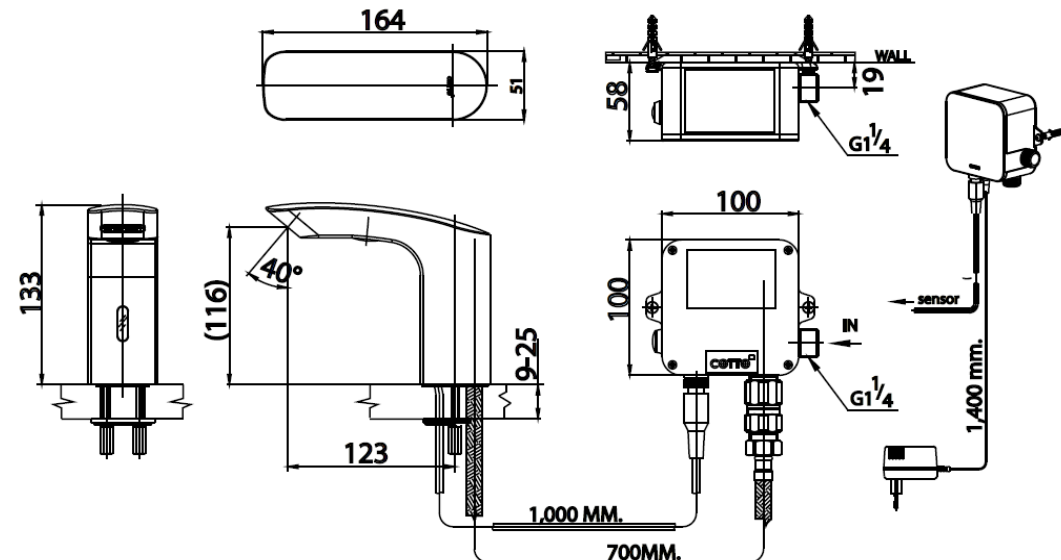
1. Extra Chrome: Nickel-Chromium coating thickness of 8 micron
2. Auto Shut-off 30 seconds
3. Moisture protection

Product characteristics

- pices/box : 4
- Inner box weight (Kg.) : 2.5
- Total box weight (Kg.) : 10.8

Recommended Usage

Install On 1 Hole Basin Or On Counter For Countertop Basin



Siam Sanitary Ware Co.,Ltd. / Siam Sanitary Fittings Co.,Ltd.

36/11 Viphavadee Rangsit Rd, Sanam Bin, Donmuang, Bangkok 10210. Thailand

Tel : + 66 (0) 2973-5040-54

Fax : + 66 (0) 2973-3470

www.cotto.co.th

Export Department

Tel : + 66 (0) 2973-5040-54

Fax : + 66 (0) 2973-3472

The company reserves the right to change any of the details in the document without prior notice

Center

(Donmuang ,Bangkok) : +66 (0) 2521-7777

