

AUTOMATIC FAUCET

CT4916AC AUTOMATIC BASIN FAUCET (ELECTRICITY USE)

Barcode 8852410491419

Material No. Z231CT4916ACXXX21

Selling Point

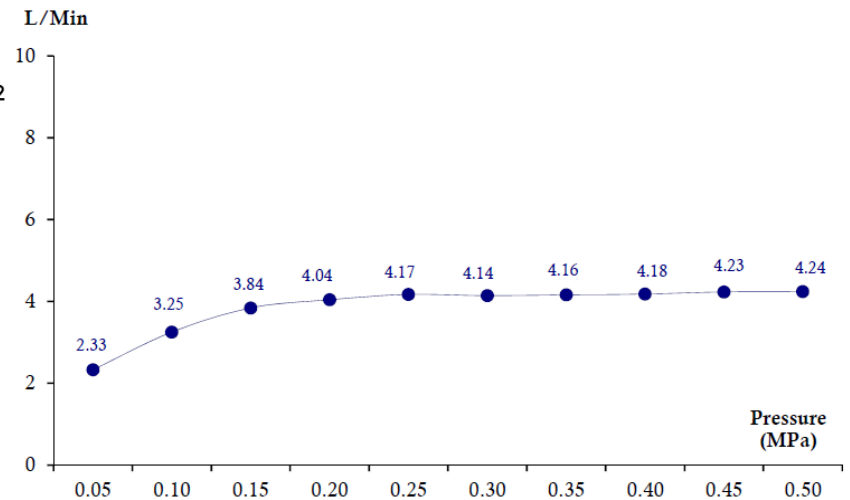
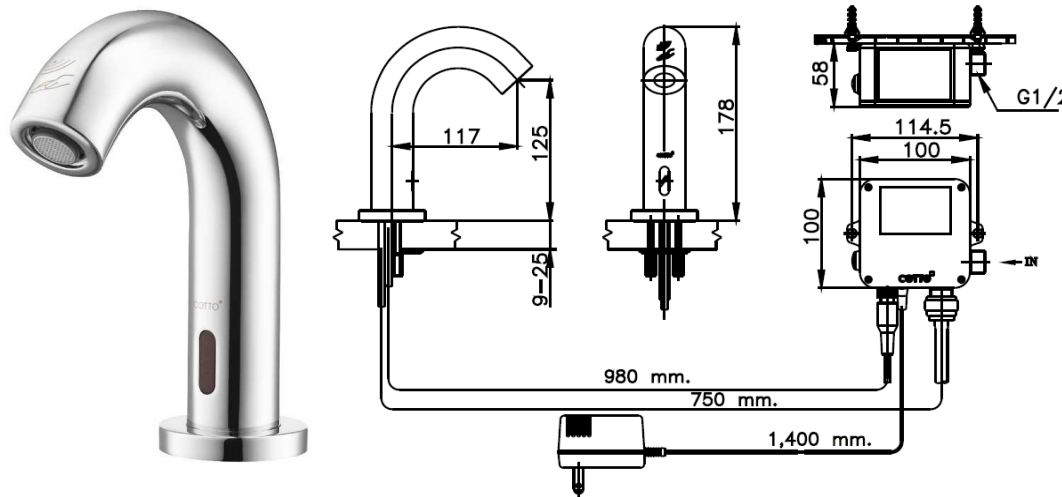
1. Extra Chrome: Nickel-Chromium coating thickness of 8 micron
2. Auto Shut-off 30 seconds
3. Moisture protection
4. Adjustable Aerator - water flow adjustable

Product characteristics

- pices/box : 6
- Inner box weight (Kg.) : 1.3
- Total box weight (Kg.) : 8.3

Recommended Usage

Install On 1 Hole Basin Or Counter For Under Counter Basin



Siam Sanitary Ware Co.,Ltd. / Siam Sanitary Fittings Co.,Ltd.

36/11 Viphavadee Rangsit Rd, Sanam Bin, Donmuang, Bangkok 10210. Thailand

Tel : + 66 (0) 2973-5040-54

Fax : + 66 (0) 2973-3470

www.cotto.com

Export Department

Tel : + 66 (0) 2973-5040-54

Fax : + 66 (0) 2973-3472

The company reserves the right to change any of the details in the document without prior notice

| | |
|-----------------------|--|
| Model no. | CT4916 AC,CT4917 AC,CT4918 AC |
| Power input | AC:220-240V(50/60 Hz) |
| Detection zone | 15-25cm(to white board) |
| Water pressure | 0.05 - 0.4 MPa. (0.5- 4 Kg/cm ²) |
| Power consumption | AC:<0.5mw |
| Inlet/outlet diameter | G1/2" |
| Confirmation time | < 1 second |
| Water temperature | 1°C-50°C |