

AUTOMATIC FLUSH VALVE

CT4801DC AUTOMATIC CONCEALED URINAL FLUSH VALVE(ELECTRICITY USE, TOP INLET)
Barcode 8852410480352
Material No. Z233CT4801ACXXX21

Selling Point

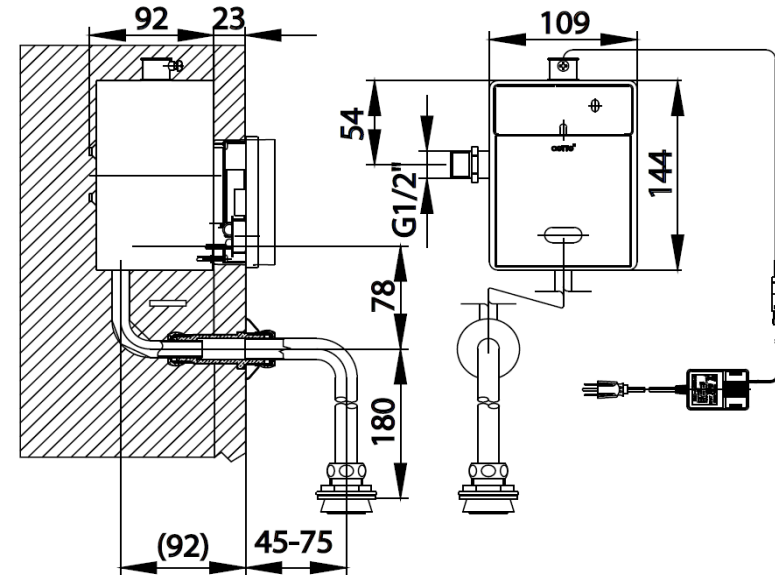
1. Double Infrared Beam: 2 Infrared transmitter, transmit higher frequency wave, Fast and Accurate
2. Moisture Protection: Water and Moisture Durable
3. Fuzzy Logic Control : Adjust water volume when frequency of use increases, Save up to 50% water usage
4. Pre-flushing selectable : Set function to flush before use

Product characteristics

- pices/box : 8
- Inner box weight (Kg.) : 1.9
- Total box weight (Kg.) : 15.1

Recommended Usage

Install On Top Inlet Sanitary Ware



Siam Sanitary Ware Co.,Ltd. / Siam Sanitary Fittings Co.,Ltd.

36/11 Viphavadee Rangsit Rd, Sanam Bin, Donmuang, Bangkok 10210. Thailand

Tel : + 66 (0) 2973-5040-54

Fax : + 66 (0) 2973-3470

www.cotto.co.th

Export Department

Tel : + 66 (0) 2973-5040-54

Fax : + 66 (0) 2973-3472

The company reserves the right to change any of the details in the document without prior notice

Center (Donmuang ,Bangkok) : +66 (0) 2521-7777

