

MASTER ONE Series

CT1225A LEVER HANDLE BASIN FAUCET
Barcode 852410122429
Material No. Z231CT1225AXXXX11

Selling Point

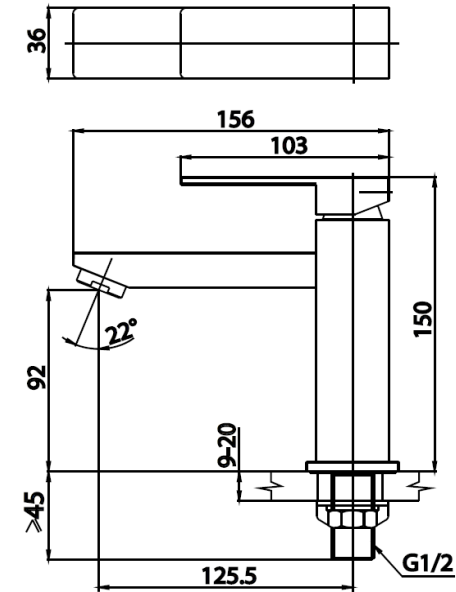
1. Produced by special processes That shows the skills of craftsmanship with long experience In the production of refined work Reflect emotional value of passing on the pride of the creators to the customers.
2. Soild Brass : Premium brass constructed with world-class brass manufacuer, to create bathroom masterpiece experience.
3. TIS 2067-2552

Product characteristics

- pices/box : 6
- Inner box weight (Kg.) : 1.5
- Total box weight (Kg.) : 9.5

Recommended Usage

Install On 1 Hole Basin Or Counter For Under Counter Basin



Siam Sanitary Ware Co.,Ltd. / Siam Sanitary Fittings Co.,Ltd.

36/11 Viphavadee Rangsit Rd, Sanam Bin, Donmuang, Bangkok 10210. Thailand

Tel : + 66 (0) 2973-5040-54

Fax : + 66 (0) 2973-3470

www.cotto.co.th

Export Department

Tel : + 66 (0) 2973-5040-54

Fax : + 66 (0) 2973-3472

Center (Donmuang ,Bangkok) : +66 (0) 2521-7777



The company reserves the right to change any of the details in the document without prior notice