

NIQUE Series

CT1215A(HM) LEVER HANDLE BASIN FAUCET
Barcode 8852410121378
Material No. Z231CT1215AHMXXX11

Selling Point

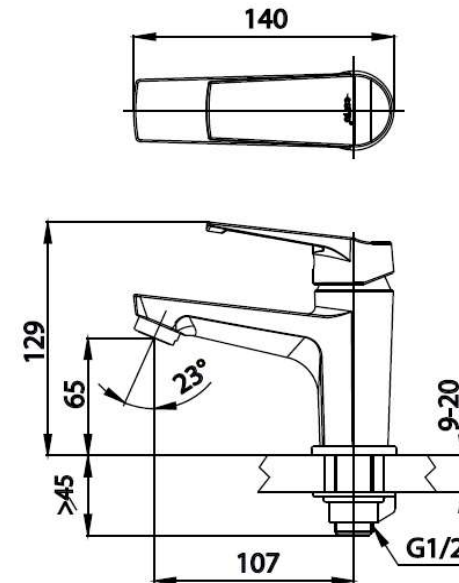
1. COTTO CLEAN : Metal Contaminant-Controlled (Lead, Cadmium, Copper, Zinc)
2. Extra Chrome : Coated with 8 Micron Nickel-Chromium

Product characteristics

- pices/box : 12
- Inner box weight (Kg.) : 0.9
- Total box weight (Kg.) : 11.2

Recommended Usage

Install On 1 Hole Basin Or Counter For Under Counter Basin



Siam Sanitary Ware Co.,Ltd. / Siam Sanitary Fittings Co.,Ltd.
 36/11 Viphavadee Rangsit Rd, Sanam Bin, Donmuang, Bangkok 10210. Thailand

Tel : + 66 (0) 2973-5040-54

Fax : + 66 (0) 2973-3470

www.cotto.co.th

Export Department

Tel : + 66 (0) 2973-5040-54

Fax : + 66 (0) 2973-3472

The company reserves the right to change any of the details in the document without prior notice



Center	(Donmuang ,Bangkok)	: +66 (0) 2521-7777
East	(Chonburi)	: +66 (038) 416-222
North	(Chiangmai)	: +66 (053) 211-852
North East	(Khonkean)	: +66 (043) 220-555
South	(Phuket)	: +66 (076) 261-388