

CANDLE Series

CT1206(HM) BASIN FAUCET
Barcode 8852410120586
Material No. Z231CT1206HMXXX11

Selling Point

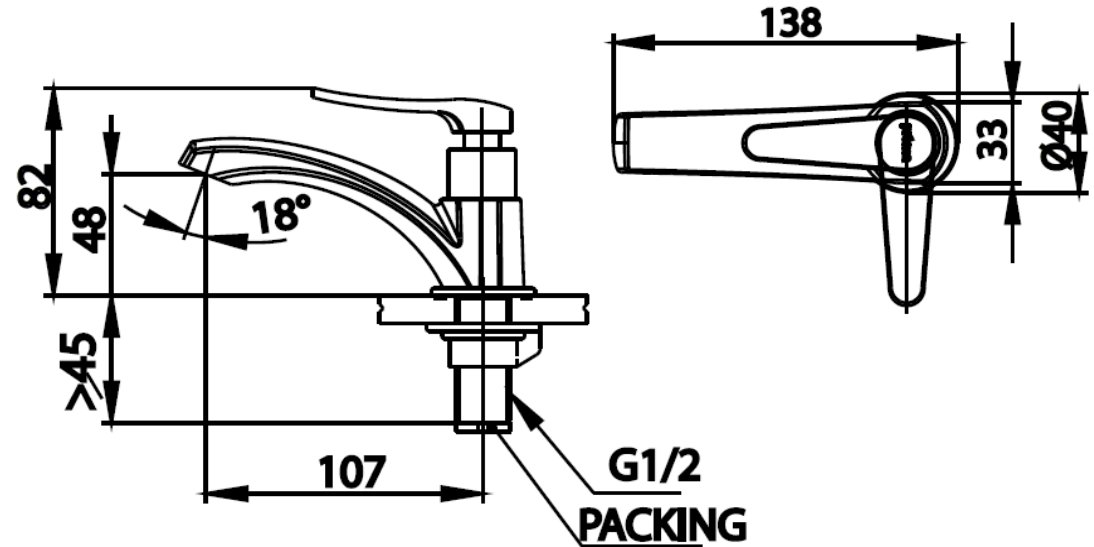
1. COTTO CLEAN : Metal Contaminant-Controlled (Lead, Cadmium, Copper, Zinc)
2. Extra Chrome : Plated with 8 Micron Nickel-Chromium

Product characteristics

- pices/box : 12
- Inner box weight (Kg.) : 0.6
- Total box weight (Kg.) : 9.4

How to use

Install on 1 hole basin or counter for countertop basin



Siam Sanitary Ware Co.,Ltd. / Siam Sanitary Fittings Co.,Ltd.

36/11 Viphavadee Rangsit Rd, Sanam Bin, Donmuang, Bangkok 10210. Thailand

Tel : + 66 (0) 2973-5040-54

Fax : + 66 (0) 2973-3470

www.cotto.co.th

Export Department

Tel : + 66 (0) 2973-5040-54

Fax : + 66 (0) 2973-3472

Center

(Donmuang ,Bangkok) : +66 (0) 2521-7777



The company reserves the right to change any of the details in the document without prior notice