

## ARCH ACC.

**CT0283(HM)** TISSUE HOLDER  
**Barcode** 8852410022583  
**Material No.** Z235CT0283HMXXX11

### Selling Point

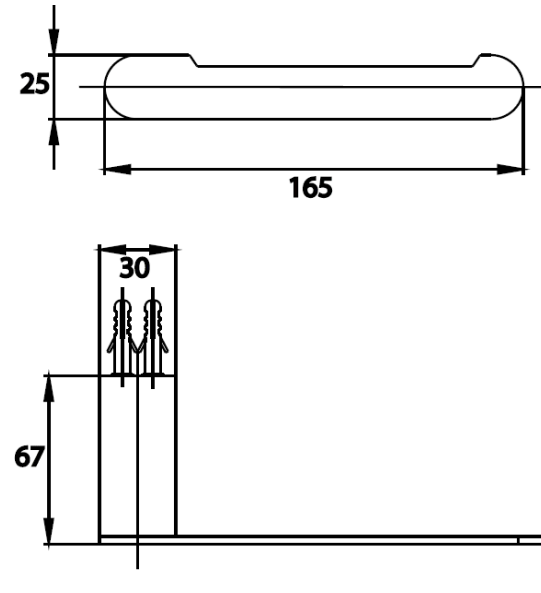
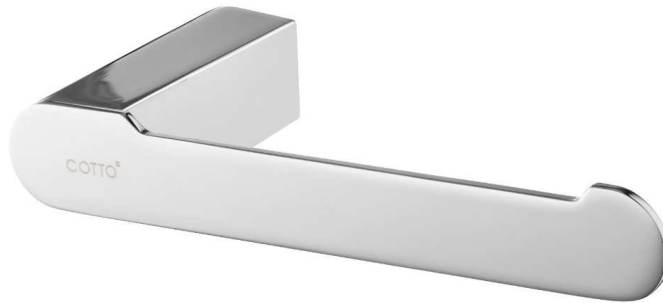
1. Made of high quality brass and metal
2. Coated with nickle chromium

### Product characteristics

- pices/box : 1
- Inner box weight (Kg.) : 1
- Total box weight (Kg.) : 1

### Recommended Usage

Install On Wall By Sanitary Ware As Tissue Holder



Siam Sanitary Ware Co.,Ltd. / Siam Sanitary Fittings Co.,Ltd.

36/11 Viphavadee Rangsit Rd, Sanam Bin, Donmuang, Bangkok 10210. Thailand

Tel : + 66 (0) 2973-5040-54

Fax : + 66 (0) 2973-3470

www.cotto.co.th

Export Department

Tel : + 66 (0) 2973-5040-54

Fax : + 66 (0) 2973-3472

Center

(Donmuang ,Bangkok) : +66 (0) 2521-7777



**The company reserves the right to change any of the details in the document without prior notice**