

EDGE Accessories

CT0273(HM) TISSUE HOLDER
Barcode 8852410022521
Material No. Z235CT0273HMXXX11

Selling Point

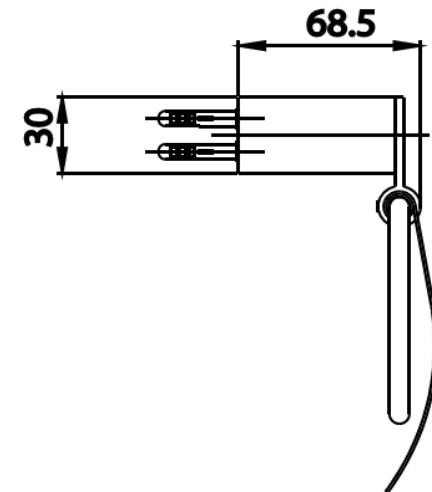
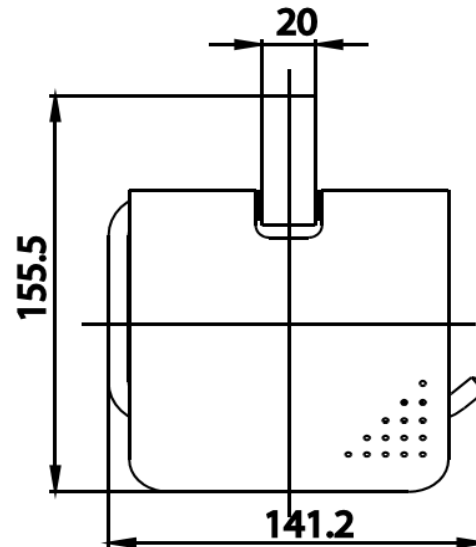
1. Made of high quality brass and metal
2. Coated with nickle chromium

Product characteristics

- pices/box : 1
- Inner box weight (Kg.) : 1
- Total box weight (Kg.) : 1

Recommended Usage

Install On Wall By Sanitary Ware As Tissue Holder



Siam Sanitary Ware Co.,Ltd. / Siam Sanitary Fittings Co.,Ltd.

36/11 Viphavadee Rangsit Rd, Sanam Bin, Donmuang, Bangkok 10210. Thailand

Tel : + 66 (0) 2973-5040-54

Fax : + 66 (0) 2973-3470

www.cotto.co.th

Export Department

Tel : + 66 (0) 2973-5040-54

Fax : + 66 (0) 2973-3472

Center

(Donmuang ,Bangkok) : +66 (0) 2521-7777



The company reserves the right to change any of the details in the document without prior notice