

NATURA Series

CT0168 SUPPORT ARM (SWING UP) 80 CM.

Barcode 8852410016667

Material No. Z235CT0168XXXXXX18

Selling Point

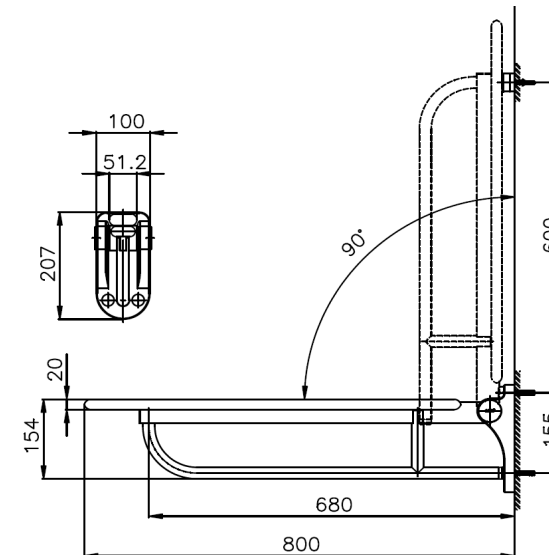
1. Made from Pine wood, for more comfortable touch than other metal materials
2. wood life span last over 50 years (dry use)
3. Passed special production process, protected from insect and mold
4. Passed the weight test, can handle up to 120 kg.
5. Vertical Fold, when not in use.

Product characteristics

- pices/box : 2
- Inner box weight (Kg.) : 1
- Total box weight (Kg.) : 13

Recommended Usage

Install on wall for support



Siam Sanitary Ware Co.,Ltd. / Siam Sanitary Fittings Co.,Ltd.

36/11 Viphavadee Rangsit Rd, Sanam Bin, Donmuang, Bangkok 10210. Thailand

Tel : + 66 (0) 2973-5040-54

Fax : + 66 (0) 2973-3470

www.cotto.co.th

Export Department

Tel : + 66 (0) 2973-5040-54

Fax : + 66 (0) 2973-3472

The company reserves the right to change any of the details in the document without prior notice

Center

(Donmuang ,Bangkok) : +66 (0) 2521-7777

