

## NATURA CARE

**CT0161** LINEAR HANDRAIL 60 CM./ Ø35 MM.  
**Barcode** 8852410013345  
**Material No.** Z235CT0161XXXXXX18

### Selling Point

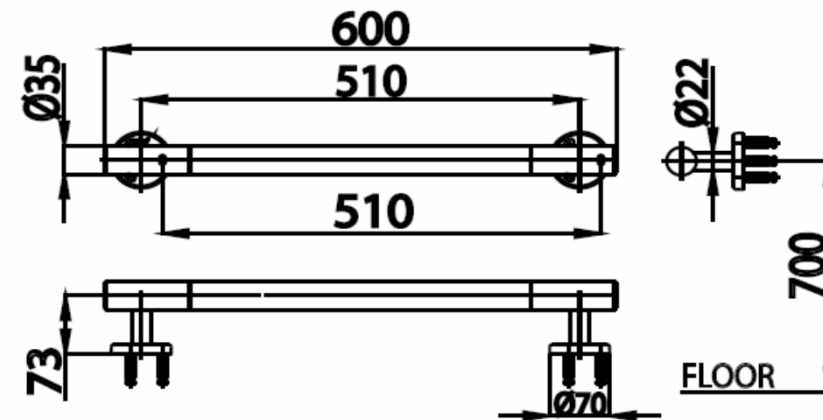
1. 100% Pine, soft touch, natural feel
2. wood life span last over 50 years (dry use)
3. With Special manufactured process; Insect and Mold free
4. Tested that able to handle up to 120 kg.
5. Wall bucket made from SUS304 Stainless

### Product characteristics

- pices/box : 1
- Inner box weight (Kg.) : 1
- Total box weight (Kg.) :

### Recommended Usage

Install on wall as supporter



Siam Sanitary Ware Co.,Ltd. / Siam Sanitary Fittings Co.,Ltd.

36/11 Viphavadee Rangsit Rd, Sanam Bin, Donmuang, Bangkok 10210. Thailand

Tel : + 66 (0) 2973-5040-54

Fax : + 66 (0) 2973-3470

www.cotto.co.th

Export Department

Tel : + 66 (0) 2973-5040-54

Fax : + 66 (0) 2973-3472

The company reserves the right to change any of the details in the document without prior notice

COTTO  
STUDIO

Center	(Donmuang ,Bangkok)	: +66 (0) 2521-7777
East	(Chonburi)	: +66 (038) 416-222
North	(Chiangmai)	: +66 (053) 211-852
North East	(Khonkean)	: +66 (043) 220-555
South	(Phuket)	: +66 (076) 261-388