



CPF002#BN2

PAPER HOLDER



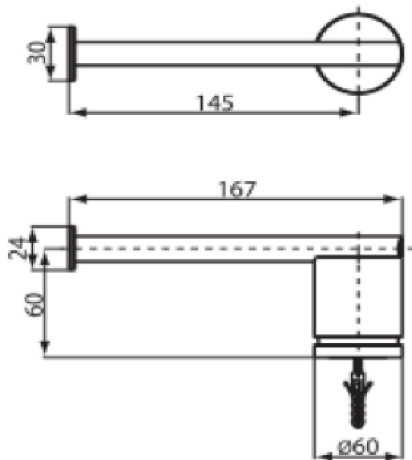
ESTELLE BLACK



TWILIGHT GOLD

PRODUCT DESCRIPTION

- Bathroom Accessories: Paper holder
- Dimension: 60 x 167 x 60 mm. (Width x Length x Depth)
- Material: Brass



UNIQUE SELLING POINTS (USPs)

- Brass material reflects the highest quality of product.
- 2 special colours to make a major premium impact and differentiate from others. (Twilight gold, Estelle black)
- Modern & minimal design gives product a bold and premium look.

PRODUCT RECOMMENDATIONS

PRODUCTS	CODE
1. Holder	CPF001#GR2 / #BN2
2. Towel bar	CPF003#GR2 / #BN2



CPF002#GR2



CPF001#BN2



CPF003#BN2

Siam Sanitary Ware Industry Co., Ltd.
36/11 Vibhavadi-Rangsit Rd. Sanambin Don Muang,
Bangkok 10210

Tel : 02-521-7777, 02-963-5999